

Pictures



Features

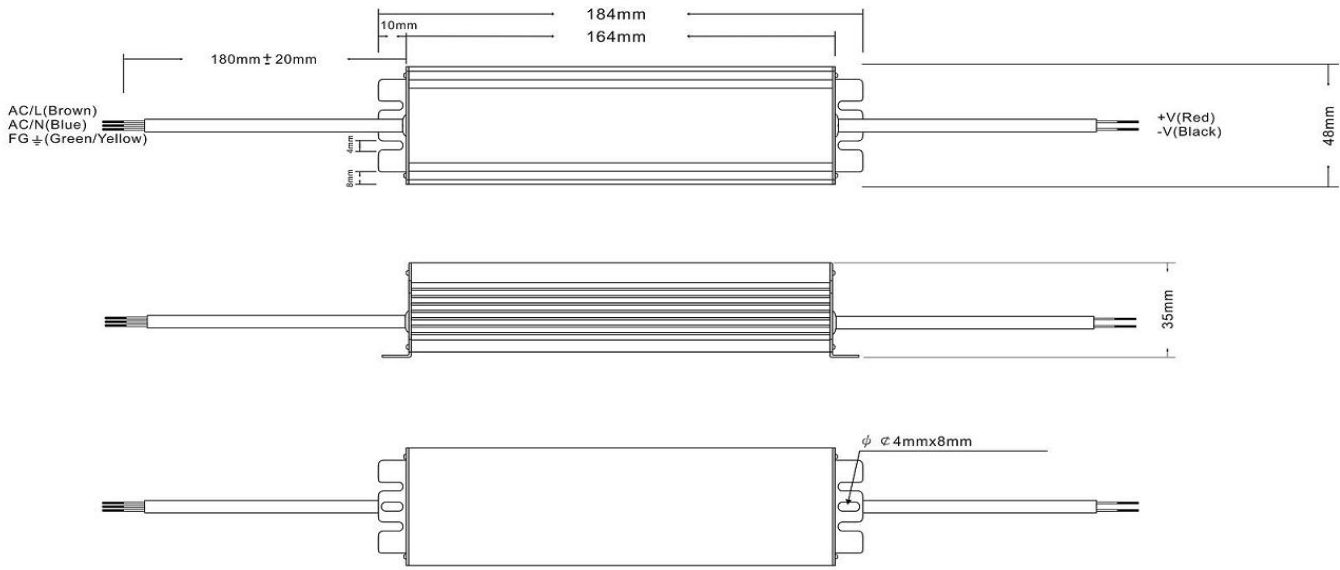
- Small Size**
- 90-265VAC Input**
- Protections: Short circuit /Overload /Over voltage / Over temperature**
- IP67 design for indoor or outdoor installations**
- Cooling by free air convection**
- 100% full load burn-in test**
- High reliability**
- 5 years warranty (Note.6)**

General Specification (Please refer to www.ansoring.com for detail spec.)

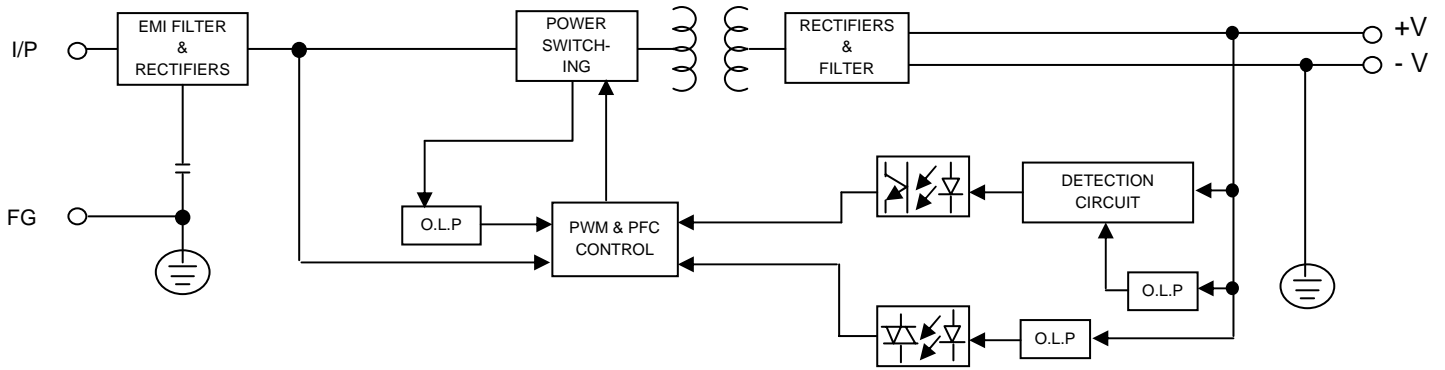


MODEL		SV-60-12	SV-60-24	SV-60-36	SV-60-48				
OUTPUT	DC VOLTAGE	12V	24V	36V	48V				
	RATED CURRENT	5A	2.5A	1.67A	1.25A				
	CURRENT RANGE	0~5A	0~2.5A	0~1.67A	0~1.25A				
	RATED POWER	60W	60W	60W	60W				
	RIPPLE & NOISE (max.) Note.2	150mVp-p	150mVp-p	150mVp-p	150mVp-p				
	VOLTAGE TOLERANCE Note.3	±3%							
	LINE REGULATION	±1%							
	LOAD REGULATION	±2%							
	SETUP, RISE TIME	1200ms, 80ms / 230VAC			1200ms, 80ms / 115VAC at full load				
	HOLD UP TIME (Typ.)	60ms / 230VAC		30ms / 115VAC at full load					
INPUT	VOLTAGE RANGE	90~264VAC		127~370VDC					
	FREQUENCY RANGE	47~63Hz							
	EFFICIENCY(Typ.)	85%	86%	88%	87%				
	INRUSH CURRENT(max.)	COLD START 40A/230VAC							
	LEAKAGE CURRENT	0.5mA / 240VAC							
PROTECTION	OVER CURRENT	95%~130%							
		Protection type : Constant current limiting, recovers automatically after fault condition is removed							
	OVER VOLTAGE	13~16V	27~34V	41~46V	54~60V				
	Protection type : Shut down and latch off o/p voltage, re-power on to recover								
OVER TEMPERATURE	90 ±10								
	Protection type : Shut down o/p voltage, re-power on to recover								
ENVIRONMENT	WORKING TEMP.	-30 ~ +70 (Refer to output load derating curve)							
	WORKING HUMIDITY	20 ~ 90% RH non-condensing							
	STORAGE TEMP., HUMIDITY	-40 ~ +80 , 10 ~ 95% RH							
	TEMP. COEFFICIENT	±0.03%/ (0 ~ 50)							
	VIBRATION	10 ~ 500Hz, 2G 10min./1cycle, period for 60min. each along X, Y, Z axes							
SAFETY & EMC	SAFETY STANDARDS								
	WITHSTAND VOLTAGE	I/P-O/P:3KVAC							
	ISOLATION RESISTANCE	I/P-O/P:100M Ohms/500VDC							
	EMI CONDUCTION & RADIATION								
	HARMONIC CURRENT								
	EMS IMMUNITY								
OTHERS	MTBF	50Khrs min. MIL-HDBK-217F (25)							
	DIMENSION (mm)	184*48*35mm(L*W*H)							
	PACKING (kg)	0.5kg							
NOTE	1. All parameters NOT specially mentioned are measured at 230VAC input, rated load and 25 of ambient temperature. 2. Ripple & noise are measured at 20MHz of bandwidth by using a 12" twisted pair-wire terminated with a 0.1uf & 47uf parallel capacitor. 3. Tolerance : includes set up tolerance, line regulation and load regulation. 4. Derating may be needed under low input voltage. Please check the derating curve for more details. 5. This is the maximum possible output current and power, over load protection may be activated slightly below this level to comply with the requirement of UL1310 class 2. 6. 2 years warranty is guaranteed for operating ambient temperature no higher than 68 .								

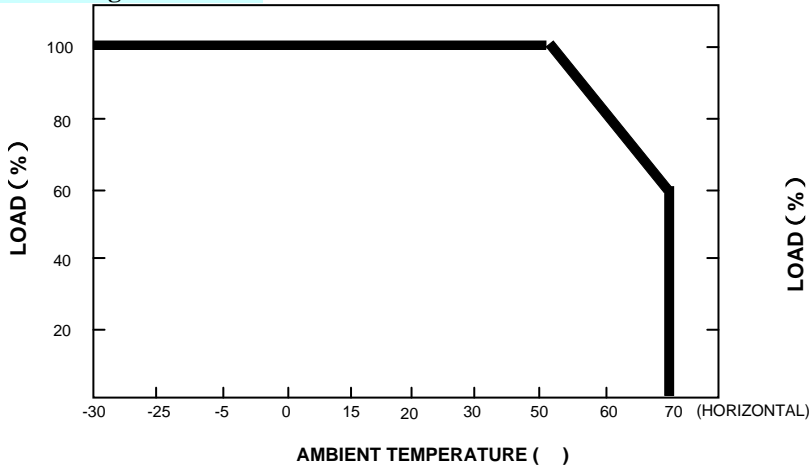
Mechanical Specification



Block Diagram



Derating Curve



Static Characteristics

